

GLAZINGVISION

Operation and Maintenance
Manual

Free Standing Skybox



Contents

Section Description	Page
Introduction	3
Safety Information	4
Controls and Operation	6
Product Safety	9
Manual Override	9
Troubleshooting	12
Glass Specification and Breakage Instructions	13
Routine Testing and Maintenance	14
Disposal at End of Life	15
Serial Number	15
Warranty Information	15
Maintenance Log	16

Introduction

Thank you for purchasing a Glazing Vision Free Standing Skybox. We hope that it gives you many years of service. The Free Standing Skybox is a thermally efficient opening product designed to allow access from a stairwell to a roof terrace or similar. The product is available in either left or right hand opening formats - the sliding section (door) is made up of two glass panes mounted into a frame that slides over the fixed panes giving a large aperture ideal for placement at the top of a staircase of almost any configuration.

The product is intended to be used for regular access, to provide natural daylight, day-to-day ventilation and weather resistance.

A variety of optional extras including a rain sensor, thermostat, remote control and home automation system connectivity are available. Proximity detection (safety sensors that immediately stop the product moving when an infrared light beam is broken) is included on every product as standard. A solenoid security bolt is also fitted as standard ensuring that the product remains secure in all situations.

This product is robust and long-lasting, boasting excellent thermal performance, air tightness and reliable operation.

Servicing and maintenance must only be carried out by suitably qualified personnel. Care should be taken when working on the product, avoiding accidental damage and ensuring operational reliability. Maintenance requirements can be found within this manual and maintenance log records must be completed to ensure the unit performs as required and the warranty is not invalidated.

Should you have any queries beyond this manual please do not hesitate to contact Glazing Vision.







Right Hand Exit



Left Hand Exit

Safety Information

Accessing your skylight in order to carry out routine maintenance may involve working at heights, working at an unusual angle, being in unfamiliar locations or all of these. **Before** work is commenced, stop and consider the best way to carry out the task and what hazards you might encounter.

	<p>Consider:</p> <ul style="list-style-type: none"> • How you will safely access your skylight to carry out maintenance. • Any openings, voids or unprotected edges that might pose a significant risk whilst working at height. • Using an elevated platform, cherry picker or scaffolding in preference to a ladder. • If specialist access is needed. • What personal protective safety equipment is required. • How you will transport equipment to the skylight. • How you will work so as not to drop equipment. • Your personal capability to safely carry out the task. • Wearing suitable clothing so as not to snag or catch on things. • Impact of weather on the task, especially driving rain and high winds. <p>If in doubt, please contact Glazing Vision for assistance.</p>
	<p>Anticipated hazards may include:</p> <ul style="list-style-type: none"> • Falls from height. • Unsafe use of ladders. • Equipment falling from height. • Slips, trips and falls. • Fragile roof areas. • Finger or clothing entrapment in mechanical or moving parts. • Working with electricity.
	<p>Do not attempt to repair, move or dismantle the product unless suitably competent and qualified to do so, with the appropriate safety measures in place. Any repairs and/or movement of the product may invalidate the warranty. Please seek advice from Glazing Vision.</p>
	<p>Any electrical work is to be carried out by a qualified and competent electrician in accordance with Glazing Vision's wiring diagram(s).</p>



Warning

The following warnings are here to prevent personal injury and damage to the product. Please follow them explicitly.

- The product must be properly installed and commissioned in accordance with the installation manual before it is used.
- Use the product only for its intended purpose.
- Regular cleaning and maintenance must be carried out according to the guidelines described in this manual.
- Glazing Vision strongly recommends that any work is carried out by suitably qualified individuals (e.g. Glazing Vision trained personnel or contractors, or an experienced electro-mechanical service engineer).
- Do not touch the motors/mechanisms after operating the product as they may become hot.
- Do not walk or sit on the unit (except for the dedicated treadplate).
- Risk of crush and/or trapping injuries. Make sure that fingers and other obstructions are kept clear of the product and its mechanisms at all times. Proximity (safety) sensors are fitted as standard, however care must still be taken.
- Overcurrent protection is designed to prevent damage to the product and its mechanisms. It should not be relied upon to prevent injuries.

- Do not place anything on, or cause obstruction to, the moving sections of the product as this may cause damage to the mechanisms/product and/or prevent the unit from opening/closing.
- Do not allow unauthorized persons (e.g. children) to operate the product as this may lead to personal injury or damage to the product. Do not leave children or pets unsupervised near the product – it may open/close unexpectedly (e.g. due to the rain sensor activating) and cause injury.
- Do not pull on the cables where they exit the product. Doing so may loosen connections, result in damage to the product and/or create the need for a repair visit.
- Do not leave the product open in the rain, this could damage the control board and/or mechanisms. If required, a rain sensor can be specified at the time of order.
- Should any cables or electrical components break or become damaged, have them repaired or replaced immediately. Deteriorated insulation of electrical parts or overloading may cause an electric shock or fire.
- Do not knock or damage the proximity sensors so they become misaligned as that will prevent the product from operating.

For more information or assistance please contact Glazing Vision.

Controls and Operation

Various options are available at time of order. If specific data is required for your product, please refer to your order confirmation or contact your supplier for assistance.

Control Switch

The standard operation of the unit is via the supplied wall mounted control switch and can be operated using two different methods as explained below:

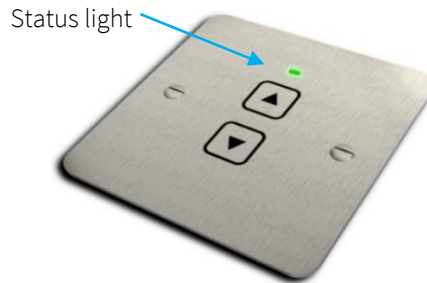


Figure 1 – Wall mounted control switch

‘One touch’ operation – A press of up to 5 seconds will be interpreted as one touch. Press and release the control switch once in either the up or down direction - the product will open or close fully. Partially open positions can be achieved by pressing the control switch again at any point during the open or close cycle.

Conventional ‘hold’ operation – Press and hold the control switch until the product has reached the desired position. Releasing the switch stops the product in that position (as long as the control switch has been pressed for more than the 5 seconds recognised as ‘one touch’ operation). Note that the product will stop automatically when it becomes either fully open or closed.



Do not leave your product open in rain or inclement weather. Glazing Vision cannot be held responsible for damage caused by failure to comply with this instruction.

Status Light

The status light will illuminate green if the product is functioning normally. If the status light displays another color, please refer to the troubleshooting section of this document.

Remote Control (Optional)

The remote control unit functions in the same way as the wall mounted control switch but allows you to open and close your product from a short range. It has 3 control buttons, open, stop and close - the stop button can be used for partial opening.

The remote control is powered by 2 x AAA batteries. In order to preserve the batteries, the remote control will switch itself off after a brief period of inactivity. It will switch itself on when any of the buttons on the remote control are pressed. To replace the batteries, remove the small hex screws found on the rear of the remote to allow access inside. Note the polarity when inserting the new batteries.

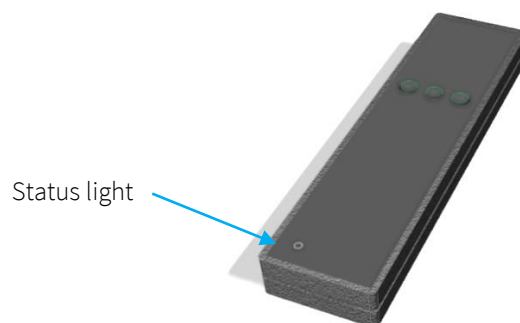


Figure 2 – Remote control

Pairing a Remote Control

Additional remote controls can be paired to or unpaired from the product. To put the product into pairing mode and prepare it for adding or removing a remote control follow these steps:

1. Ensure that the product is fully closed.
2. Press and hold the CLOSE (down arrow) button on the wall-mounted control switch.
3. Still holding the CLOSE button, press and hold the OPEN (up arrow) button.
4. As soon as the status light starts flashing, release both buttons.

The control switch status light will now flash red and blue alternately for 2 minutes. You now have a 2 minute window in which to pair the remote to the product.

To Add a Remote

Press any of the buttons on the remote control during the 2 minute pairing window. Wait for approximately 30 seconds and then press either the open or close buttons (this needs to be done before the 2 minutes are up). The remote control should now be paired to the product. When using the remote control its status light will illuminate green when the product is in motion.

To Delete a Remote

Ensure there has been at least 2 minutes since either the product was first powered up or from when the pairing procedure was initiated (i.e. you are not in the 2 minute pairing window). Press all three buttons on the remote control together and immediately release them. The status light on the remote control should turn red for a few seconds and then turn off. If it turns green or amber, try pressing the three buttons again. When the red status light turns off, the remote will be unpaired from the product.

Rain Sensor (Optional)

The rain sensor automatically closes the product when moisture is detected. When the product is opened it activates the built-in low power heater to evaporate any surface moisture (this will remove condensation/dew but not large amounts of standing water or ice). If moisture is still detected, the product will close on the assumption that it is raining (the status light will illuminate green). The control switch status light will also flash intermittent green indicating a closure due to rain. The rain sensor should be positioned horizontally (in line with the ground) in a location that will ensure that it is exposed to the rain and must be kept clean to function correctly.



Figure 3 – Rain sensor

Rain Sensor Isolation Switch (Optional)

The rain sensor isolation switch is internally mounted and wired directly to the rain sensor cable, allowing the sensor to be switched on/off. Turning off the switch deactivates the signal from the rain sensor and prevents the product from closing in the event of rain. This avoids the scenario where someone could be shut outside by the rain sensor when it rains. Ensure that the switch is turned back on for normal use.



Figure 4 – Rain sensor isolation switch

Thermostat (Optional)

The thermostat offers control of the product to regulate the temperature within the building. For security reasons, when the property is unoccupied, the thermostat should be switched off and the product closed.

External Keypad (Optional)

The keypad option offers secure access into the product from the outside via a numerical pass code. To open or close the product, enter the four-digit numerical code and press the # key (Glazing Vision supplies an initial code with the product and instructions for changing it as required). Unlike the standard internal wall switch, the keypad does not offer ‘press and hold’ operation. The keypad is mounted on the side of the product.



Figure 5 – External keypad

External Key Switch (Optional)

The key switch option offers the same function as the keypad but via a key operated switch. In addition, the key switch does offer ‘press and hold’ operation. To open the product, turn the key in a clockwise direction. To close the product, turn the key in an anti-clockwise direction.

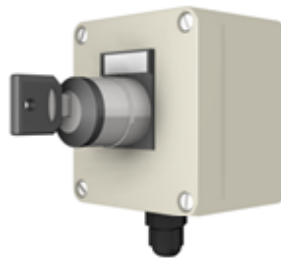


Figure 6 – External key switch

Battery Backup (Optional)

The battery backup supply provides an uninterruptable power source (24V DC) in the event of a main power supply failure. It houses a 24V power supply, an Uninterruptable Power Supply (UPS) switch and two 5Ah batteries. This will allow full operation of the product for a limited period in the event of a power failure. The battery backup will resume normal operation once the main power supply is restored. The battery backup is protected with a 15A breaker switch. Please note that main power must be applied to the UPS before the DC output is activated. **Product use should be kept to a minimum during main power supply failure to maintain battery efficiency.**



Figure 7 – Battery backup supply

Home Automation System Integration (Optional)

The product can be connected to home automation systems. Please contact Glazing Vision for further details if required.

Product Safety

The Free Standing Skybox has infrared photoelectric sensors positioned along the sealing edge of the product (the sealing edge is where the door closes). One sensor emits a beam which is received by the other during normal operation. If this beam is obstructed by any object the door will immediately stop moving and then back off slightly to prevent damage to the framework, mechanisms or object and prevent entrapment. Until the path of the beam is cleared the product will not operate. This offers protection against trapping fingers or limbs at the sealing edge.

These sensors **do not** offer protection against the other edges of the product and only protects along the inside face. To avoid serious injury or damage to the product, do not place anything in or near to the product's mechanisms. Care must always be taken around motorized equipment. Do not allow unauthorized persons (e.g. children) to operate or play near the product.

Manual Override

In the unlikely event of failure of the Free Standing Skybox, it may be necessary to manually override the product. Before considering manually overriding the product, several likely issues should be ruled out first. Check that power is being supplied to the Free Standing Skybox, also check for any obstructions around the mechanisms and proximity sensors, and lastly check that the wall switch is not showing any errors (if so, see the troubleshooting section). If none of these suggestions resolve the issue, then the product can be manually overridden.

Stuck Open or Closed

If the Free Standing Skybox is stuck in the open or closed position and will not open/close electrically, the mechanisms can be disengaged to allow the lid to be opened/closed manually. In most circumstances, manual override can be done from the inside. **Do not attempt to manually override the product without a safe working platform.**

Stuck Closed or Partially Open (Manual Override Handle Accessible)

Using the supplied key, disengage the solenoid bolt. This is done by turning the key and holding it in this position. With the key still held in this position, turn the handle to disengage the door from the mechanisms. The door can now be pushed open/closed as desired. **Do not attempt to push the door without a safe working platform.** When moving the door manually, ensure that the door handle does not clash with the product's framework. Also take care that the solenoid bolt pin does not clash with the door (by retracting it using the key). This will result in damage to the product.

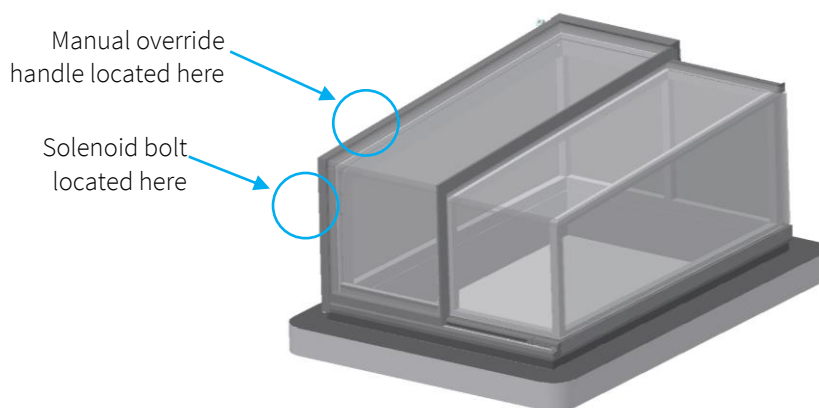


Figure 8 – Manual override locations

Stuck Fully Open (Manual Override Handle Not Accessible)

Working on the outside of the unit, start by prying the clip on cover off the bottom of the front of the door. Next unscrew the two covers along the top edge of the back of the product.

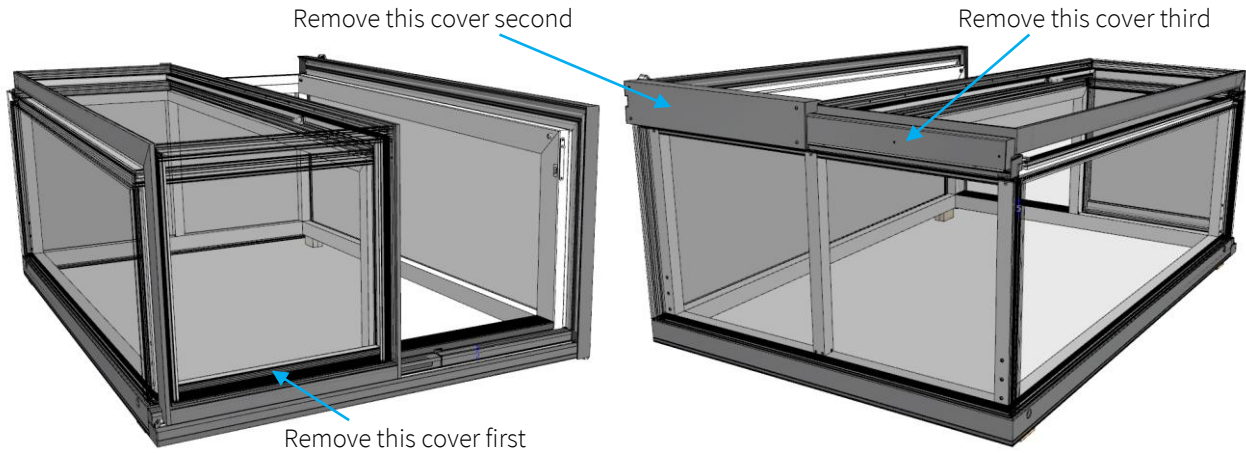


Figure 9 – Remove covers concealing the override mechanisms

The override mechanisms will now be visible. To disengage the door from the product's running mechanisms, twist the indexing plunger to slacken the cable (it will click into the undone position). Do this at the front and back of the door. The door can now be pushed closed. **Do not attempt to push the door without a safe working platform.** When moving the door manually, ensure that the door handle does not clash with the product's framework. Also take care that the solenoid bolt pin does not clash with the door (by retracting it using the key). This will result in damage to the product.

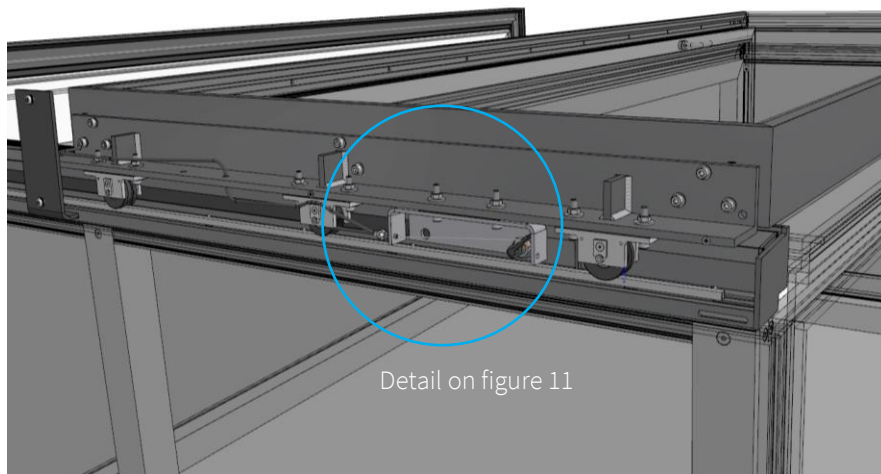


Figure 10 – View of the override mechanism

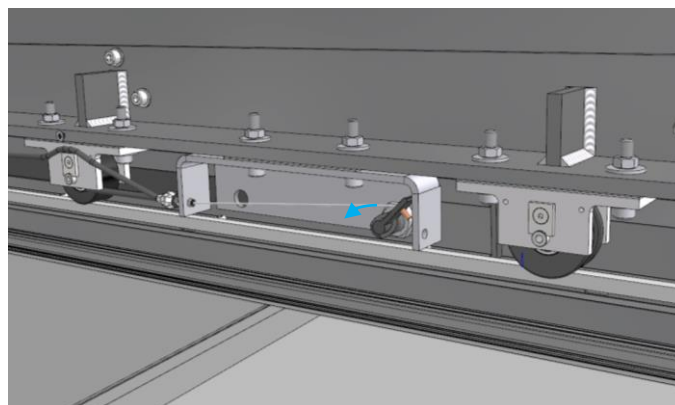


Figure 11 – Twist the indexing plunger to slacken the cable

Once the product is open, the mechanisms can be detached/reattached, and any problems can be diagnosed and resolved (contact Glazing Vision for assistance with this). Ensure that the door remains fully supported at all times.

Note that if the product is subsequently pushed closed manually without reengaging the mechanisms, the building will be watertight, but may not be secure. To ensure that the door is secure when the mechanisms are disengaged, turn and hold the key to retract the solenoid bolt and push the door tightly closed to compress the rubber seals. When the door is closed release the solenoid bolt and it will engage in the strike plate locking the door in place. Check that the door is secure and the solenoid bolt has successfully engaged.

Please contact Glazing Vision for further assistance – the product will no longer be operational. Once the issue is resolved, the product should be reassembled then re-initialized.

Re-Initialization

If the manual override has been used the product may require re-initializing. With the manual override handle back in the horizontal position, and the indexing plungers re-engaged, check that the door is re-engaged with the drive mechanisms. To do this run the mechanisms completely closed by pushing the close button on the control switch, next push the open button on the control switch and run the mechanisms to approximately halfway open and stop them (the mechanisms are concealed by brush strip which can be pushed aside to check the positions of the mechanisms). Lastly, gently push the door manually towards the mechanisms until it engages with both mechanisms (you should hear a sound). Once the main power supply has been restored, re-initialize the product by pressing close on the control switch. The product is then ready to resume normal service.

If further assistance is required, contact Glazing Vision to arrange for an engineer to visit and resolve the issue.

Troubleshooting

The Free Standing Skybox control board monitors the operation of the product. If a fault is detected, the control board will disable the unit to prevent possible damage. Fault and standard conditions are indicated by the status light on the control switch. The following table shows the various status light displays and their meanings.

Status Light Shown	Meaning
Continuous green	The product is moving as part of normal operation. If one touch opening/closing has been activated, the status light will remain lit until the product stops moving.
Intermittent green (flashes every second)	The product is closing but not under control of the operating switch or remote control e.g. due to an optional extra (such as a rain sensor) activating. The status light will continue flashing until the product stops moving.
Intermittent green (flashes once every 2 seconds)	The fire input connection (if specified) has been triggered. The status light will remain lit when opening to the fire position and when stationary afterwards so long as the fire input is still active.
Continuous blue	Indicates that the product has timed out (has taken too long to open/close). This is to avoid continuous operation of the motor(s) when there is a potential issue. So long as the cause has been rectified, pressing the open/close button will clear this condition.
Intermittent blue	Indicates an overcurrent or undercurrent condition (the current that the motor(s) are receiving is outside of the set limits). So long as the cause has been rectified, pressing the open/close button will clear this condition.
Continuous red (after power on/fault recovery)	Indicates that the product requires initialization/synchronization. Pressing close on the wall mounted switch will initiate synchronization of the mechanism(s). The status light will flash red whilst this is in progress.
Intermittent red (after power on/fault recovery)	Indicates that the product is initializing/synchronizing. The condition will clear automatically when the product has initialized.
Continuous amber	Indicates that a proximity (safety) sensor has been triggered preventing the product from closing (it will still open). Once the object(s) obstructing the path of the sensor has been cleared, normal product operation will be resumed.
Intermittent amber	An unrecoverable fault has been detected by the controller and product operation has been disabled. This state can be cleared by a button press combination (see table below) or removing power (including backup batteries) from the product.

If a fault occurs, please refer to the following table. Some faults with the unit may be easily corrected without the need for a site engineer to visit. Many faults can be cleared by resetting the board. To reset the system, switch off the main power supply briefly then switch the power back on again. Most faults should be cleared using this method, however, in the event the fault persists, please contact Glazing Vision for assistance.

Problem	Possible Cause	Action
Continuous blue Product has timed out.	The product has taken too long to open/close.	Check for possible obstructions or parts (e.g. sensors) that may have been knocked out of place. Once clear, press the open/close button.
Intermittent blue Overcurrent/undercurrent fault.	Something is preventing the mechanisms from opening/closing.	Check for and remove any obstructions to the mechanisms. Once clear, press the open/close button.
	The lid is frozen to the base.	Wait until the ice melts before attempting to operate the product.
	The product been left inactive for a long period (a month or longer).	This fault may occur after a long period of inactivity, reset the product (turn it off/on using the main power supply isolator switch) and try again.

<p>Continuous red Synchronization/initialization state – the product needs to be initialized.</p>	<p>May occur after turning off/disconnecting the power when the mechanisms were not in the closed position.</p>	<p>Press the close button on the wall mounted control switch to initiate synchronization of the mechanism(s). The status light will flash red whilst this is in progress.</p>
<p>Continuous amber A proximity (safety) sensor has been triggered – the product will not close.</p>	<p>Something is obstructing the path of the sensor beams.</p>	<p>Check for and remove any obstructions to the sensors.</p>
<p>Intermittent amber Fault lockout state – controller is unable to reset itself and the product has been disabled.</p>	<p>Cause unknown.</p>	<p>Do not attempt to recover this fault without being in full view of the product, ask for assistance. To force a resynchronization, press both the up and down buttons of the wall mounted control switch at the same time for two seconds. The control switch status light will then toggle through red, green and blue colors, finishing with red. Press the down button to close the product and initiate synchronization (the status light will flash red whilst this is in progress). If one of the mechanisms fails to move or if the fault is triggered for a second time, do not attempt to try again, and if required refer to the manual override instructions to close the product.</p>
<p>The product opens or closes for no apparent reason.</p>	<p>The rain sensor (if specified) is dirty or still wet triggering the product to close.</p>	<p>If it is raining wait until the rain stops before trying to open the product. If the rain sensor needs cleaning, open the product and isolate the power supply, then clean the rain sensor.</p>
	<p>The thermostat (if specified) is reacting to a change in temperature and triggering the product to operate.</p>	<p>Check that the thermostat is set to the desired temperature setting.</p>
	<p>The home automation system (if specified) is operating the product remotely.</p>	<p>Check that the home automation system is functioning correctly.</p>
<p>The rain sensor is not working.</p>	<p>The rain sensor is located in a position where it is shielded from the rain or the sensor is dirty.</p>	<p>Check the positioning of the rain sensor and move it to a more exposed position (a Glazing Vision engineer may be required for this task). If the rain sensor needs cleaning, open the product and isolate the power supply, then clean the rain sensor.</p>

Glass Specification and Breakage Instructions

Glass Specification

Various options are available at time of order. If specific data is required for the glazing please contact your supplier for a glass data sheet covering the specification installed within your unit.

Breakage Instructions

Glass breakage is not covered under the product warranty. In the event of the glass being damaged please contact Glazing Vision for assistance.

Routine Testing and Maintenance

General Maintenance and Safety

To keep the Free Standing Skybox in good working order there are a few basic points that should be observed:

- Do not place anything on, or cause obstruction to the moving section of the Free Standing Skybox when opening the unit as this may cause damage to the unit's mechanisms and/or prevent it from opening.
- Do not walk or sit on the unit (except for the designated treadplate).
- Make sure that fingers and other obstructions are clear of the product and its mechanisms during any operation, severe damage/injury may be caused.
- Do not touch the motors/mechanisms after operating the unit as they may become hot.
- Do not remove the treadplate protecting the control board, as this may allow the controls to become damaged.
- Do not allow unauthorized persons (e.g. children) to operate the product as this may lead to injury or damage to the product.

Specific Maintenance Requirements

Maintenance must only be carried out by suitably qualified personnel*. The following maintenance requirements must be completed and logged on the sheets at the back of this manual. Glazing Vision can offer a service/maintenance contract – please contact us for further details.

*Suitably qualified assumes Glazing Vision Engineers or Approved Installers (installers that have attended a Glazing Vision installation training course for this product and carry 'Approved Installer' status), or an experienced electro-mechanical service engineer.

Monthly Requirements

- The product should be fully opened and closed to ensure that the seals are free, and the mechanisms function evenly.

Annual Requirements (at least annual - recommended every 6 months)

- Check the integrity of the glazing units (there should not be any misting or condensation).
- Check that all moving parts are free from debris.
- Grease (Shell Gadus s2 v220 2 or equivalent) the mechanism leadscrews.
- Lubricate (WD-40 Specialist High Performance Silicone Lubricant or equivalent) all other moving parts and check they move freely (may need to remove product flashings).
- Check that the mechanisms are straight and true.
- Check that the proximity sensors are clean, aligned, secure and undamaged.
- Check that all fixings are appropriately tightened.
- Check that access to the overrides is clear and advise the relevant party to amend if not.
- Check all electrical cables and ensure that they are not trapped and/or damaged.
- Check that no water is in the unit.
- Clean and inspect all rubber/silicone seals, contact Glazing Vision to arrange for replacement seals to be fitted if required.
- Check that electrical connections are well made and secure.
- Check that the control switch does not show any errors.
- Test the operation.
- Test any optional extras present.

Every 5 Years

- Replace the backup batteries (if present).

Cleaning Requirements

Regular cleaning should be carried out, increasing the frequency if the area is subject to excess debris such as falling leaves or heavy soiling from atmospheric pollution. Due to the Free Standing Skybox's unique bonding method and the pitch built into the product, there should be no water ponding on the glass when installed correctly.

Any standard glass cleaning product can be used to clean the glazing units. However, take care not to use abrasive materials or cleaners as this may affect the unit and its finish. The framework of the unit can be cleaned using warm soapy water with a soft lint free cloth. It is important to avoid getting water into the internal channels of the product framework. Therefore, Glazing Vision highly recommends carrying out any cleaning of the product whilst in the closed position.

- Clear any debris from and around the unit.
- Clean the glass and inspect the integrity of the glazing units.
- Clean the frame and inspect the finish integrity.
- Clean and inspect all rubber/silicone seals, contact Glazing Vision to arrange for replacement seals to be fitted if required.
- Clean the rain sensor (if present).

Disposal at End of Life

Glazing Vision design products with ease of recyclability at end of life in mind. Many of the main components used are widely recyclable and we encourage you to recycle the unit and/or dispose of the component parts responsibly, in accordance with the guidance from your local authority.

This product comprises the following materials:

Aluminum framework and corner brackets	Widely accepted for recycling at local recycling depots.
Steel framework and corner brackets	Widely accepted for recycling at local recycling depots.
Stainless steel (Fixings, nuts, bolts, screws, brackets etc.)	Widely accepted for recycling at local recycling depots.
Glass	Widely accepted for recycling. Check disposal locations with your local recycling depot.
PVC/nylon/plastic	Recyclable - check disposal with your local recycling depot.
Rubber seals and silicone sealant	Not currently recyclable.
Electrical components	Please dispose of as waste electrical and electronic equipment at your local recycling depot.
Batteries	Please dispose of as segregated battery waste at your local recycling depot.

Serial Number

Each Glazing Vision product has a unique serial number. A label giving this serial number is affixed to the exterior of each Free Standing Skybox. This number should be recorded within the maintenance log section of this manual for future reference. If you need to contact us for any reason, Glazing Vision may ask for the product's serial number to enable us to assist with your enquiry.

Warranty Information

A warranty document will be provided with the product. To ensure the warranty is maintained, the product must be regularly maintained/serviced in accordance with the instructions in this manual.

Maintenance Log

Project Address:

Unit Serial Number:

Work Completed	Notes	Name	Date
Annual Requirements yes/no Battery Replacement yes/no Cleaning Requirements yes/no			
Annual Requirements yes/no Battery Replacement yes/no Cleaning Requirements yes/no			
Annual Requirements yes/no Battery Replacement yes/no Cleaning Requirements yes/no			
Annual Requirements yes/no Battery Replacement yes/no Cleaning Requirements yes/no			
Annual Requirements yes/no Battery Replacement yes/no Cleaning Requirements yes/no			
Annual Requirements yes/no Battery Replacement yes/no Cleaning Requirements yes/no			
Annual Requirements yes/no Battery Replacement yes/no Cleaning Requirements yes/no			
Annual Requirements yes/no Battery Replacement yes/no Cleaning Requirements yes/no			
Annual Requirements yes/no Battery Replacement yes/no Cleaning Requirements yes/no			
Annual Requirements yes/no Battery Replacement yes/no Cleaning Requirements yes/no			
Annual Requirements yes/no Battery Replacement yes/no Cleaning Requirements yes/no			
Annual Requirements yes/no Battery Replacement yes/no Cleaning Requirements yes/no			
Annual Requirements yes/no Battery Replacement yes/no Cleaning Requirements yes/no			
Annual Requirements yes/no Battery Replacement yes/no Cleaning Requirements yes/no			

Work Completed	Notes	Name	Date
Annual Requirements yes/no Battery Replacement yes/no Cleaning Requirements yes/no			
Annual Requirements yes/no Battery Replacement yes/no Cleaning Requirements yes/no			
Annual Requirements yes/no Battery Replacement yes/no Cleaning Requirements yes/no			
Annual Requirements yes/no Battery Replacement yes/no Cleaning Requirements yes/no			
Annual Requirements yes/no Battery Replacement yes/no Cleaning Requirements yes/no			
Annual Requirements yes/no Battery Replacement yes/no Cleaning Requirements yes/no			
Annual Requirements yes/no Battery Replacement yes/no Cleaning Requirements yes/no			
Annual Requirements yes/no Battery Replacement yes/no Cleaning Requirements yes/no			
Annual Requirements yes/no Battery Replacement yes/no Cleaning Requirements yes/no			
Annual Requirements yes/no Battery Replacement yes/no Cleaning Requirements yes/no			
Annual Requirements yes/no Battery Replacement yes/no Cleaning Requirements yes/no			
Annual Requirements yes/no Battery Replacement yes/no Cleaning Requirements yes/no			
Annual Requirements yes/no Battery Replacement yes/no Cleaning Requirements yes/no			
Annual Requirements yes/no Battery Replacement yes/no Cleaning Requirements yes/no			
Annual Requirements yes/no Battery Replacement yes/no Cleaning Requirements yes/no			
Annual Requirements yes/no Battery Replacement yes/no Cleaning Requirements yes/no			
Annual Requirements yes/no Battery Replacement yes/no Cleaning Requirements yes/no			